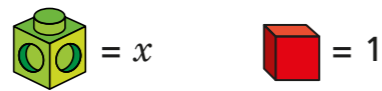


# Forming expressions

- 1 Tommy uses multilink cubes to represent an unknown number and base ten ones to represent 1



Write algebraic expressions to describe the sets of cubes.

The first one has been done for you.

a) 2x + 3

b) \_\_\_\_\_

c) \_\_\_\_\_

d) \_\_\_\_\_

e) \_\_\_\_\_

f) \_\_\_\_\_

g) \_\_\_\_\_

h) \_\_\_\_\_



- 2 Use Tommy's method to represent these expressions.

a)  $x + 2$

c)  $3x + 1$

b)  $2x$

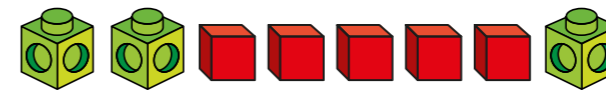
d)  $x + 6$

Compare answers with a partner.

- 3 Use cubes to help you simplify the following expressions.

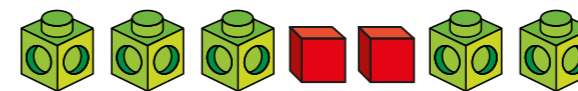
The first one has been done for you.

a)  $2y + 5 + y$



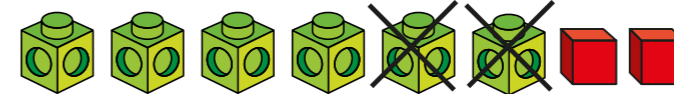
3y + 5

b)  $3a + 2 + a + a$



\_\_\_\_\_

c)  $6p + 2 - 2p$

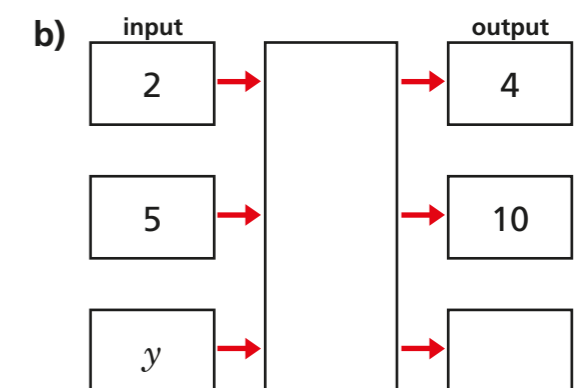
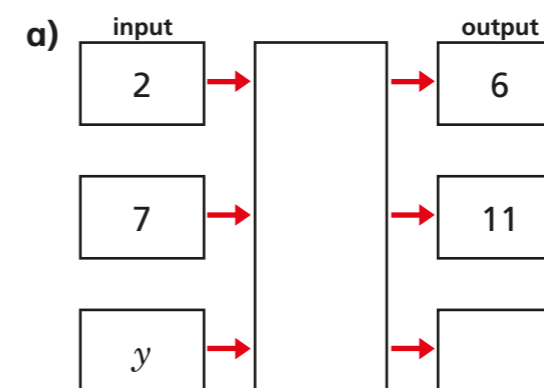


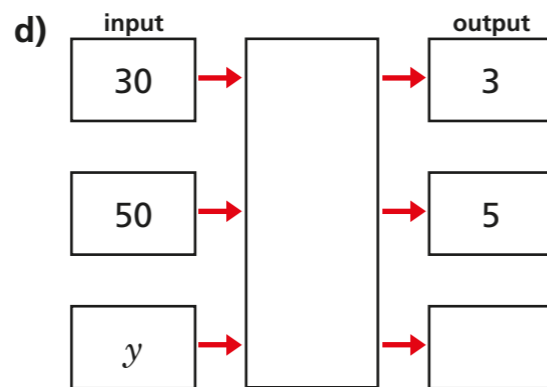
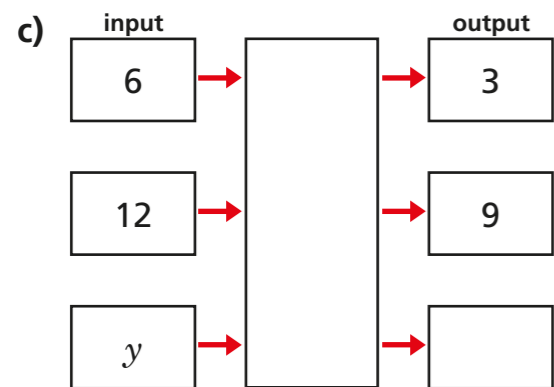
\_\_\_\_\_

d)  $m + 4 + 3m - 3$

\_\_\_\_\_

- 4 Complete the function machines.





5 Match each statement to the equivalent algebraic expression.

Write the missing statements.

5 more than  $y$

$2y$

$y$  less than 5

$y - 5$

$y$  multiplied by 5

$5 - y$

$y$  divided by 5

$y + 5$

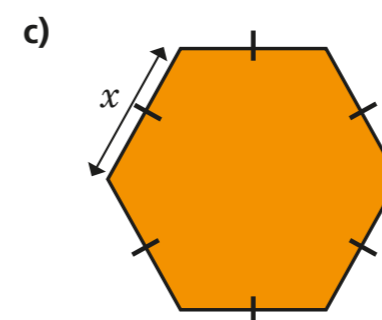
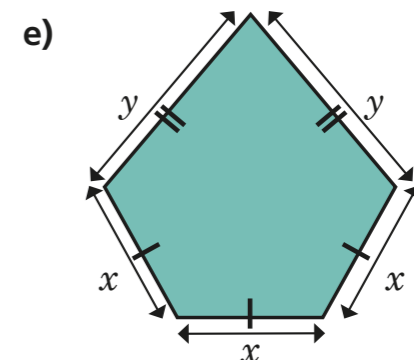
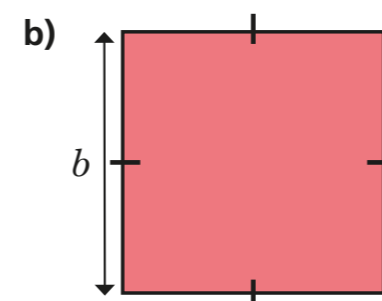
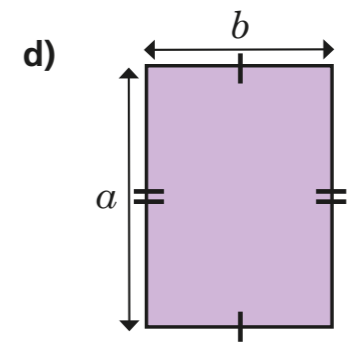
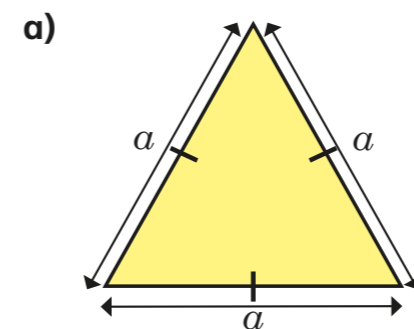
double  $y$

$5y$

$y^2$

$\frac{y}{5}$

6 Write an algebraic expression to represent the perimeter of each shape.



7 Complete the bar models.

